

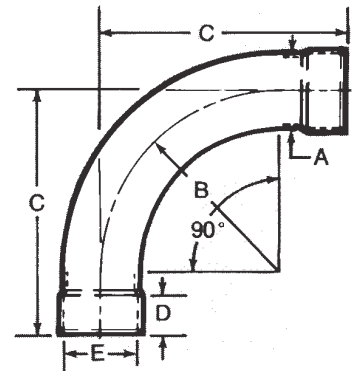
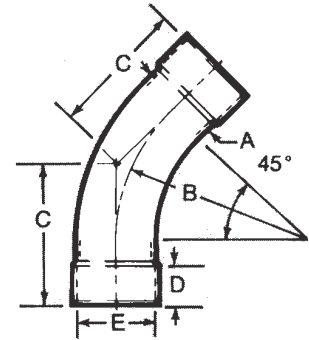
## Standard Elbows

11 Gauge Elbows Available / 30° and 60° Elbows Available

### STANDARD RADIUS ELBOWS

A O.D.	B CLR	45° PART NO.	C	TAN.	90° PART NO.	C	GAUGE
2 1/8"	5"	EL-211	4 5/16"	2"	EL-212	7"	16
2 1/2"	6"	EL-251	4 1/2"	2"	EL-252	8"	16
3"	7 1/2"	EL-301	5 1/8"	2"	EL-302	9 1/2"	16
3 1/2"	8 3/4"	EL-351	5 5/8"	2"	EL-352	10 1/4"	16
4"	10"	EL-401	6 1/8"	2"	EL-402	12"	16
5"	12 1/2"	EL-501	7 13/16"	2 5/8"	EL-502	15 1/8"	14
6"	15"	EL-601	9 15/32"	3 1/4"	EL-602	18 1/4"	14
8"	20"	EL-801	12 17/32"	4 1/4"	EL-802	24 1/4"	14
10"	32"	EL-1001	28 1/4"	15"	EL-1002	47"	12
12"	36"	EL-1201**	21 5/32"	6 1/4"	EL-1202**	42 1/4"	12
14"	36"	EL-1401**	22 5/32"	7 1/4"	EL-1402**	43 1/4"	12

\*\*Segmented



### SHORT RADIUS ELBOWS

A O.D.	B CLR	45° PART NO.	C	TAN.	90° PART NO.	C	GAUGE
2 1/8"	3 1/2"	SR-211	3 7/16"	2"	SR-212	5 1/2"	16
2 1/2"	4"	SR-251	3 2 1/32"	2"	SR-252	6"	16
3"	4 1/2"	SR-341	3 7/8"	2"	SR-342	6 1/2"	16
3 1/2"	5"	SR-351	4 1/16"	2"	SR-352	7"	16
4"	6"	SR-441	4 1/2"	2"	SR-442	8"	16
5"	7 1/2"	SR-541	5 23/32"	2 5/8"	SR-542	10 1/8"	14
6"	9"	SR-641	6 31/32"	3 1/4"	SR-642	12 1/4"	14
8"	12"	SR-841	9 7/32"	4 1/4"	SR-842	16 1/4"	14

D Expansion Depth 1 1/4" thru 4" O.D., 1 1/2" for 5" and 6" O.D.

E Inside Diameter (I.D.) = A Outside Diameter (O.D.)

CLR = Center Line Radius

TAN. = Tangent Length

All reference dimensions are nominal.

Expanded Ends standard through 6" size, also available Expanded One End.

Straight Ends available on all sizes by request.

NOTE: FOR LONG RADIUS BENDS SEE PAGE 15.

